


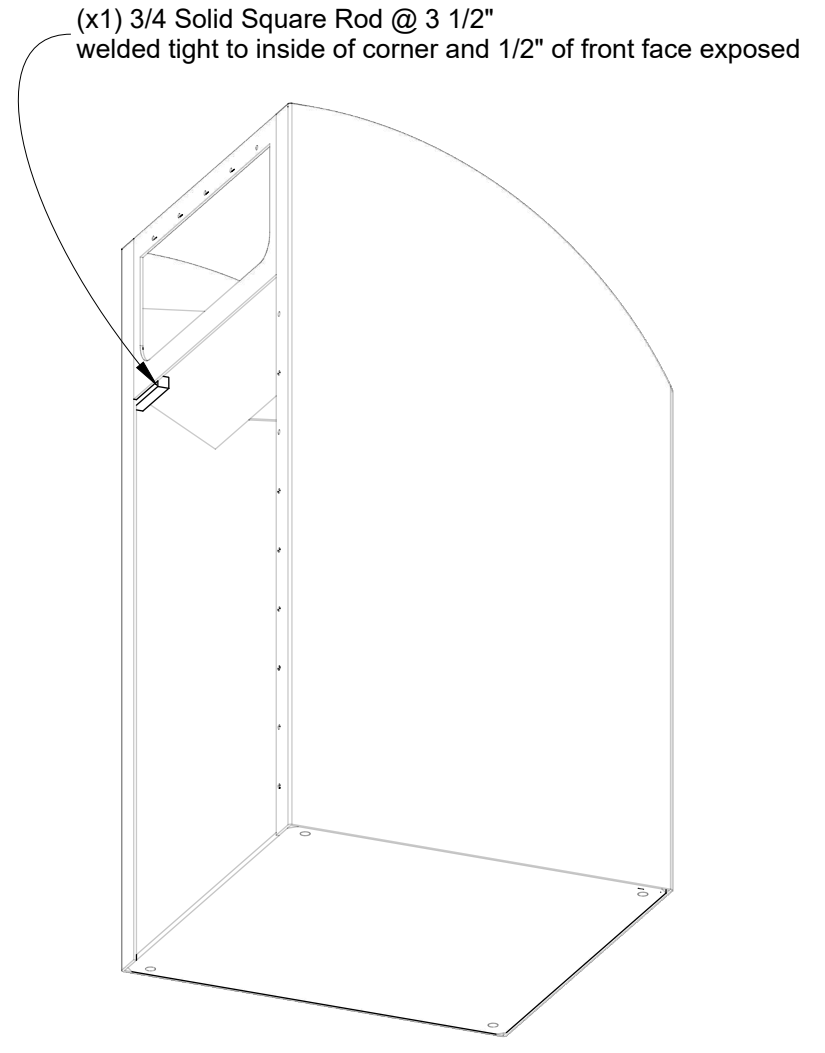
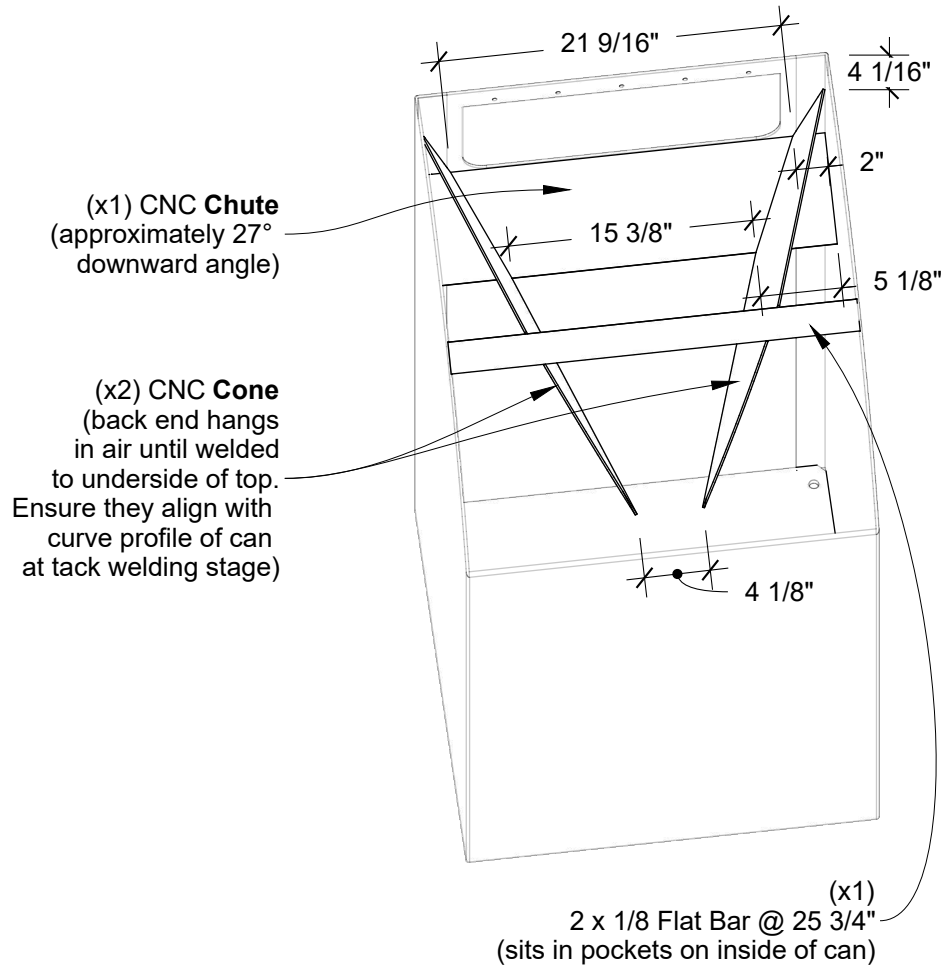
Materials:

- 1 - 3/4" Square Solid Rod @ 3 1/2"
- 1 - 2 x 1/8 Flat Bar @ 25 3/4"

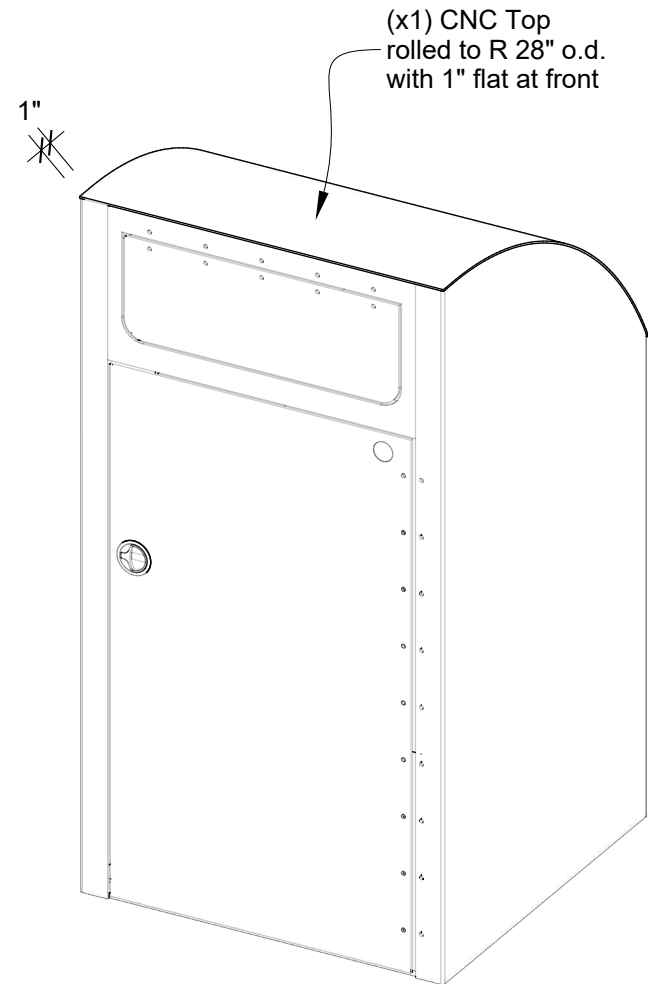
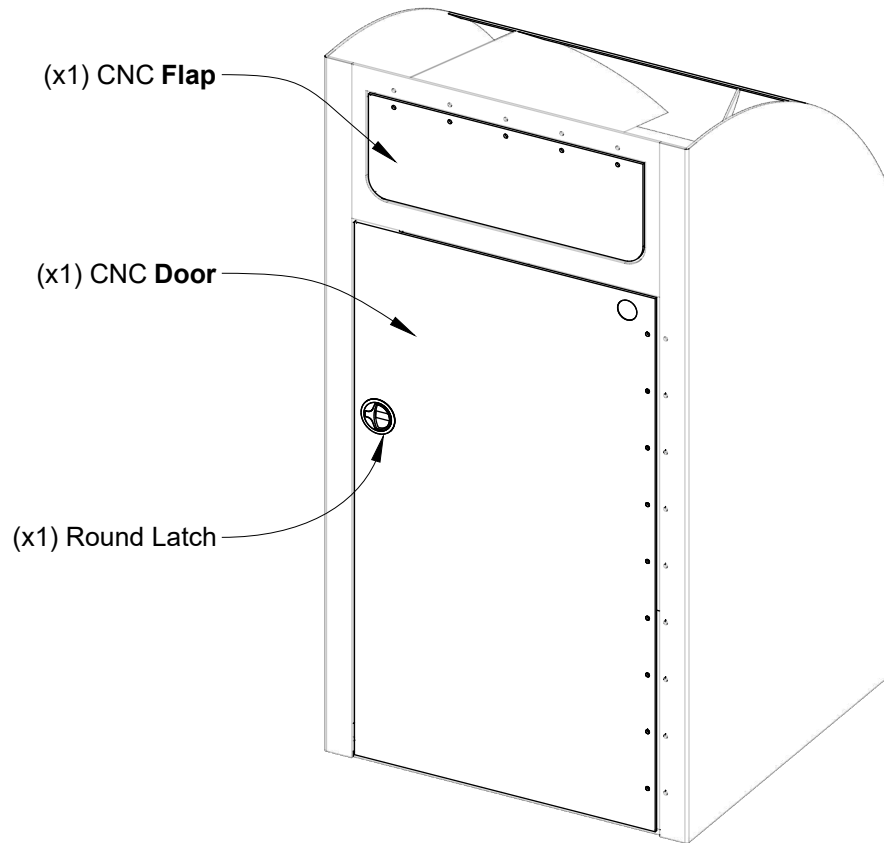
- 1 - CNC **Can**
- 1 - CNC **Base**
- 1 - CNC **Face**
- 1 - CNC **Flap**
- 1 - CNC **Chute**
- 2 - CNC **Cone**
- 1 - CNC **Top**


DATE:
WO #:
QTY:
COLOUR:

	WISHBONE SITE FURNISHINGS 210 - 27090 GLOUCESTER WAY LANGLEY, BC			
	DWG. TITLE: Modena Curved Top ECO 35 Gallon Receptacle for Wheeled Trash Can REVISION: 27 May 2024 R:00			
MATERIAL: ALUMINUM	DWG. NO. DWSCBN24032300	DRAWN BY: Jay Meneely		
PATTERN NO. N/A	MODEL NO. MCTRE-35W	SCALE: 1:12	SHEET: 1 of 3	DATE: 28 May 2024



	WISHBONE SITE FURNISHINGS 210 - 27090 GLOUCESTER WAY LANGLEY, BC			
	DWG. TITLE: Modena Curved Top ECO 35 Gallon Receptacle for Wheeled Trash Can REVISION: 27 May 2024 R:00			
MATERIAL: ALUMINUM	DWG. NO. DWSCBN24032300	DRAWN BY: Jay Meneely		
PATTERN NO. N/A	MODEL NO. MCTRE-35W	SCALE: 1:12	SHEET: 2 of 3	DATE: 28 May 2024



	WISHBONE SITE FURNISHINGS 210 - 27090 GLOUCESTER WAY LANGLEY, BC			
	DWG. TITLE: Modena Curved Top ECO 35 Gallon Receptacle for Wheeled Trash Can REVISION: 27 May 2024 R:00			
MATERIAL: ALUMINUM	DWG. NO. DWSCBN24032300	DRAWN BY: Jay Meneely		
PATTERN NO. N/A	MODEL NO. MCTRE-35W	SCALE: 1:12	SHEET: 3 of 3	DATE: 28 May 2024